

HPS-POWER BATTERY



HPS-75SL

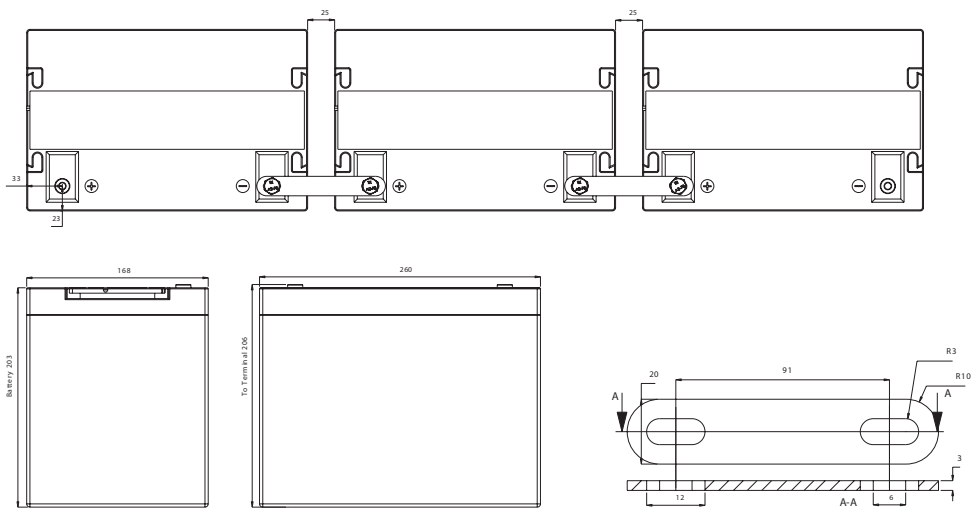
Innovative Features

- Completely maintenance free, sealed construction eliminates the need for watering
- Fully tank formed plates
- Analytical Grade electrolyte
- Spill proof / leak proof
- Valve regulated Max internal pressure 2.5 psi
- Multi-position usage
- ABS Case and cover - V0 on request
- Low self discharge
- FAA and IATA approved as non-hazardous
- Built to comply with IEC 8962, DIN 43534, BS 6290 Pt4, Eurobat

Specifications

- Nominal Voltage12 Volts
- Nominal Capacity70Ah (C20 @ 20 °C)
- Design Life12 Years
- Operating Temperature...-20 °C to 50 °C
- Grid alloyCalcium /Tin lead alloy
- PlatesFlat Pasted
- SeparatorAbsorbant Glass Mat
- Active material.....Very high purity lead
- Case and cover.....ABS (VO on request)
- Charge VoltageFloat 2.25 - 2.30 VPC @25 °C
Cycling 2.35 @25 °C
Max. 2.4 VPC Max ripple 0.05C (A)
- ElectrolyteSulphuric acid Analytical grade purity
- Venting ValveEPDM Rubber 1.5 to 2 psi (10.5 - 14 KPa) release pressure.
Resealing at 1 psi (7 KPa)
- Terminal.....Insert 14mm Dia M6 thread.
Epoxy sealed by extended mechanical paths
- Torque setting.....The recommended torque value for all types is 5-7 Nm
- CablesConnectors, cables, terminal covers on request.

Terminal Dimensions



Specifications

Nominal Voltage	12V		
Nominal Capacity	70 Ah		
Dimensions	Total Height - (Inc. terminal s)	208 mm - n/a mm	8,19 inches - n/a inches
	Length - Width	259 mm - 168 mm	10,20 inches - 6,61 inches
Weight 23,7 Kg - 52,38 lbs			

HPS-75SL

Characteristics

Capacity 20 °C (68 °F) To 1.7 volts	20 hour rate 10 hour rate 5 hour rate 1 hour rate 15 min rate Internal Resistance Impedance	67,7 Ah 59,2 Ah 53,5 Ah 47,8 Ah 34,8 Ah 5 mOhms S
Capacity correction for Temperature Variations (C20)	40 °C (104 °F) 20 °C (68 °F) 0 °C (32 °F) -15 °C (5 °F)	102% 100% 85% 65%
Self-Discharge 20 °C (68 °F)	Capacity after 1 months storage Capacity after 3 months storage Capacity after 6 months storage	98% 94% 86%
Short Circuit Current 20 °C (68 °F)	2400	
Terminal	Standard Optional	14mm Insert M6 Thread Lead Flag - J Type - Auto
Charging (Constant Voltage)	Cyclic Float	2.35 - 2.40 VPC (20-25 °C) 2.27 - 2.30 VPC (15-25 °C)

Constant Power Discharge - Watts per Cell at 20°C

End V per Cell	5M	10M	15M	20M	25M	30M	35M	40M	45M	60M	90M	2 hr	3 hr	4 hr
1.85	312	251	209	179	154	137	124	114	106	88.0	61.7	47.0	32.1	24.5
1.80	342	284	230	190	161	142	128	117	110	88.2	61.1	47.3	32.6	24.9
1.75	360	303	245	199	170	148	132	121	112	89.4	62.4	47.6	32.8	24.9
1.70	378	321	253	207	174	152	135	122	113	90.4	63.2	48.2	33.1	25.3
1.65	391	331	263	213	179	153	136	123	114	91.4	63.8	48.6	33.2	-
1.60	410	340	270	216	182	156	138	126	116	92.2	64.5	49.2	33.3	-

Constant Amps discharge - Amps at 20°C

End V per Cell	5 M	10 M	15 M	20 M	25 M	30 M	35 M	40 M	45 M	60 M	90 M	2 hr	3 hr	4 hr	5 hr	8 hr	10 hr	12 hr	20 hr
1.85	168	134	111	95.2	81.8	72.6	65.3	59.9	55.6	45.9	32.0	24.3	16.4	12.5	10.2	6.80	5.64	4.82	3.21
1.80	187	154	124	102	86.1	76.0	68.1	62.0	58.1	46.3	32.1	24.6	16.8	12.8	10.4	6.90	5.72	4.92	3.27
1.75	199	166	134	108	91.5	79.2	70.6	64.5	59.4	47.1	32.7	24.8	17.0	12.8	10.5	6.96	5.75	4.97	3.31
1.70	210	178	139	113	94.5	82.2	72.6	65.3	60.2	47.8	33.1	25.2	17.1	13.1	10.7	7.13	5.92	5.09	3.38
1.65	219	184	145	117	97.3	82.9	73.3	66.0	60.9	48.8	33.5	25.4	17.2	-	-	-	-	-	-
1.60	230	190	149	119	99.3	84.8	74.7	67.5	62.0	48.9	33.9	25.7	17.3	-	-	-	-	-	-

Ampere Hour at 20 °C

End V per Cell	2 hr	3 hr	4 hr	5 hr	8 hr	10 hr	12 hr	20 hr
1.85	48.5	49.3	50.0	50.9	54.4	56.4	57.8	64.2
1.80	49.1	50.4	51.0	52.2	55.2	57.2	59.0	65.4
1.75	49.5	50.9	51.3	52.5	55.7	57.5	59.6	66.1
1.70	50.3	51.4	52.2	53.5	57.0	59.2	61.1	67.7
1.65	50.8	51.7	-	-	-	-	-	-
1.60	51.4	52.0	-	-	-	-	-	-